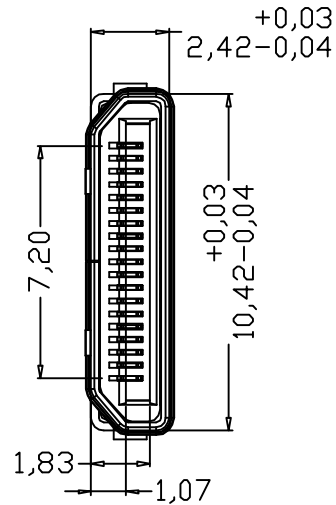
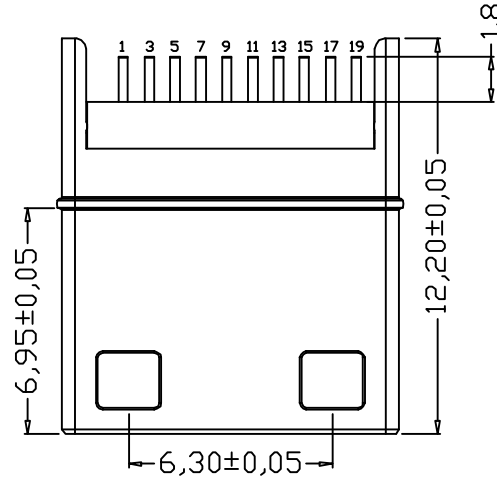
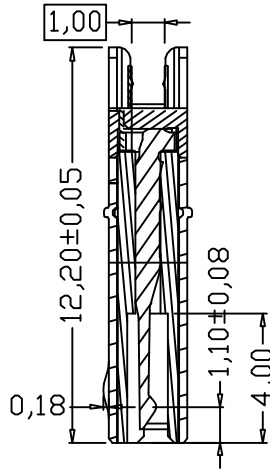
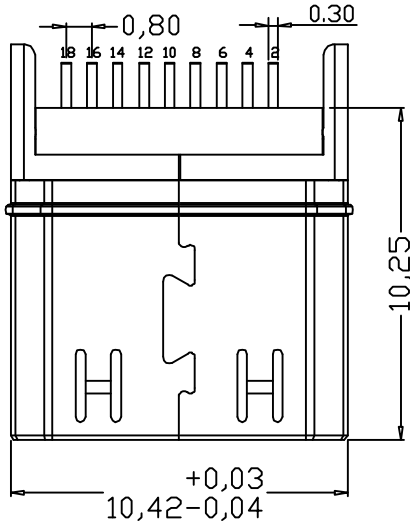


RoHS Compliant

REV.	ZONE	DESCRIPTION	DESIGN	DATE
A		初版发行	wilson	10.06.08



技术要求:

- 1.材质: 端子: C5191 H T=0.12mm;
胶芯: LCP;
外壳: C2680 H/SPCC T=0.25mm
- 2.电镀: a.镀层: 外壳镀铜, 镍底100U, 表面全金1U, 3U, 5U;
b.镀金: 端子1U, 3U, 5U, 15U, 30U.

Unless otherwise specified tolerances are					
X.X	±0.25				
X.XX	±0.20	DRAW NO.	DATE	DRAW NAME:	
X.XXX	±0.15	DWN		mini HDMI 19P/M夹板式 1.0版	
X*	±2.0°	CHK		P/N : MHD-M-CN01	
X.X*	±1.0°	APVD			
 Third Angle Project		FINISH		UNIT	SCALE
		MATERIAL		mm	1:1
				WEIGHT	REV
					A
				SHEET	1 OF 1