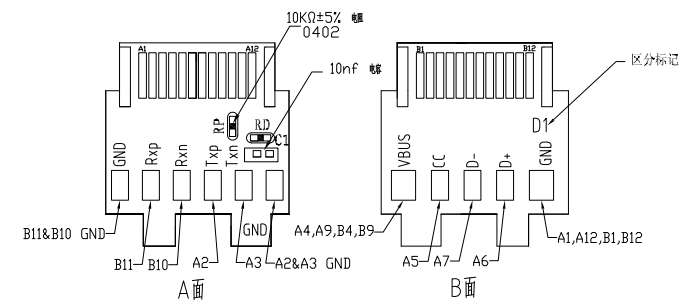
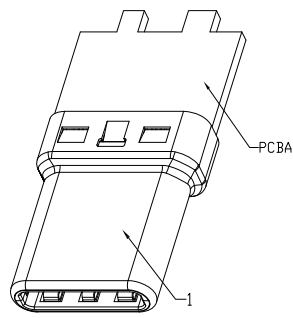
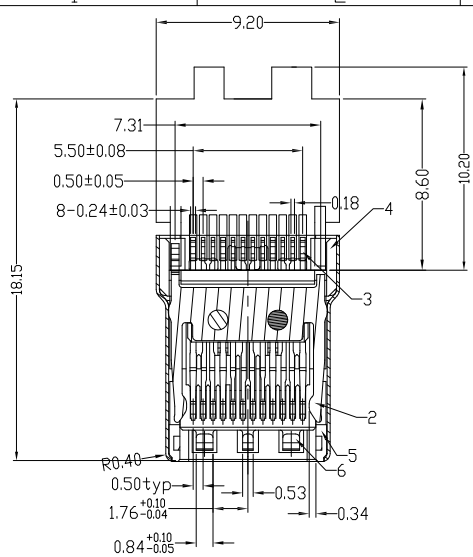
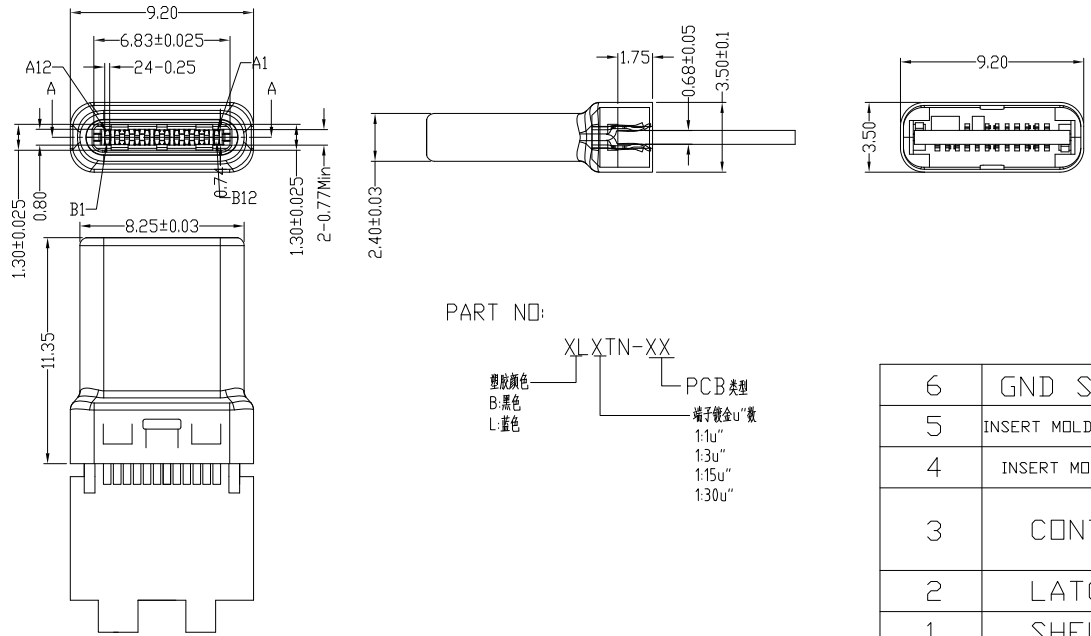


REV	ZONE	REVISION	DATE
A1	△1	PCB增加C1电容位置	2015/07/07



RECOMMENDED PCB LAYOUT
GENERAL TOLERANCE±0.05mm(T=0.8±0.05)

- NOTES:
- ELECTRICAL:
Insulation Resistance: 100Mohm MIN.
Dielectric Withstanding Voltage: 100V AC at Sea Level.
 - MECHANICAL:
Insertion Force: 5N Min, 20N Max.
Withdrawing Force: 8N Min, 20N Max.
Durability: 10000 CYCLES



PART NO: XLXTN-XX

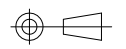
塑胶颜色
B:黑色
L:蓝色

PCB类型
端子镀金u"数
1:1u"
1:3u"
1:15u"
1:30u"

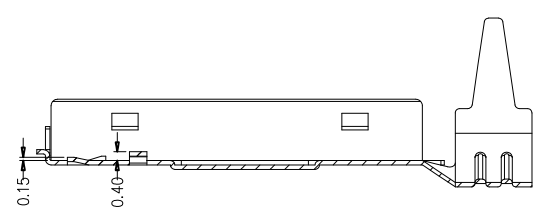
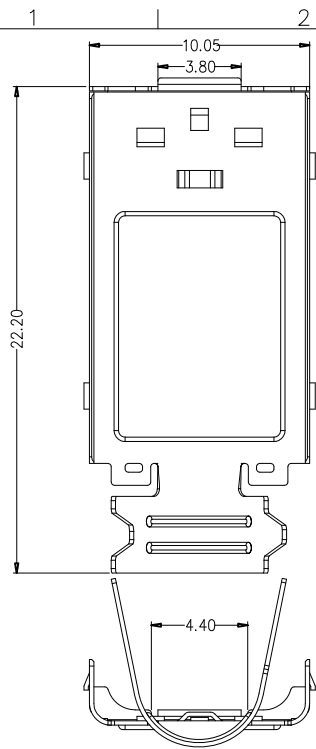
6	GND SPRING	1	SUS	
5	INSERT MOLDING SPRING	2	Thermoplastic plastic	BLACK
4	INSERT MOLDING 12P	2	Thermoplastic plastic	BLACK
3	CONTACT	24	COPPER ALLOY	CONTACT AREA:Gold SOLDER TAILS:Tin NICKEL UNDERPLATED OVERALL
2	LATCH	1	SUS	
1	SHELL	1	SUS	NI 50-90u"
ITEM	PARTS NAME	Q'TY	MATERIAL	FINISH/REMARK



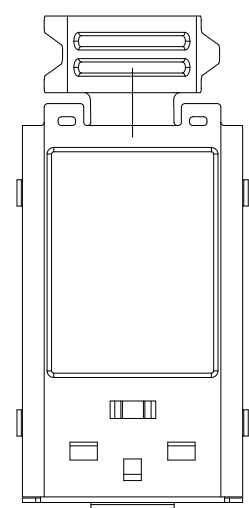
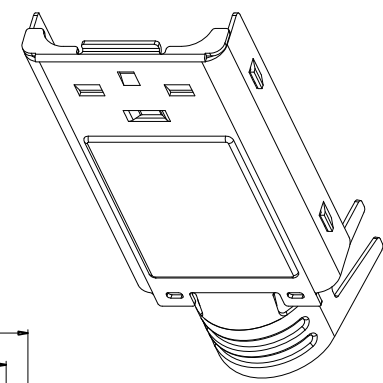
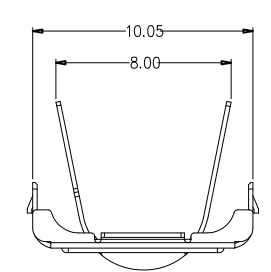
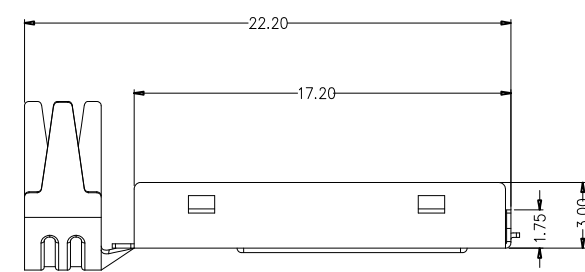
COMPUTER NO.			UNIT	SCALE	PART NAME	
			mm	1:1	USB C/M TO USB A/M3.1 3A/5V	
APPD.	CKD.	DWG.	DATE	TOLERANCE	PART NO.	REV
			2015/06/08	.x ±0.25 .xx ±0.15	USB-type-c-3.0-CN02	A1



REV	ZONE	REVISION	DATE



截面 A-A

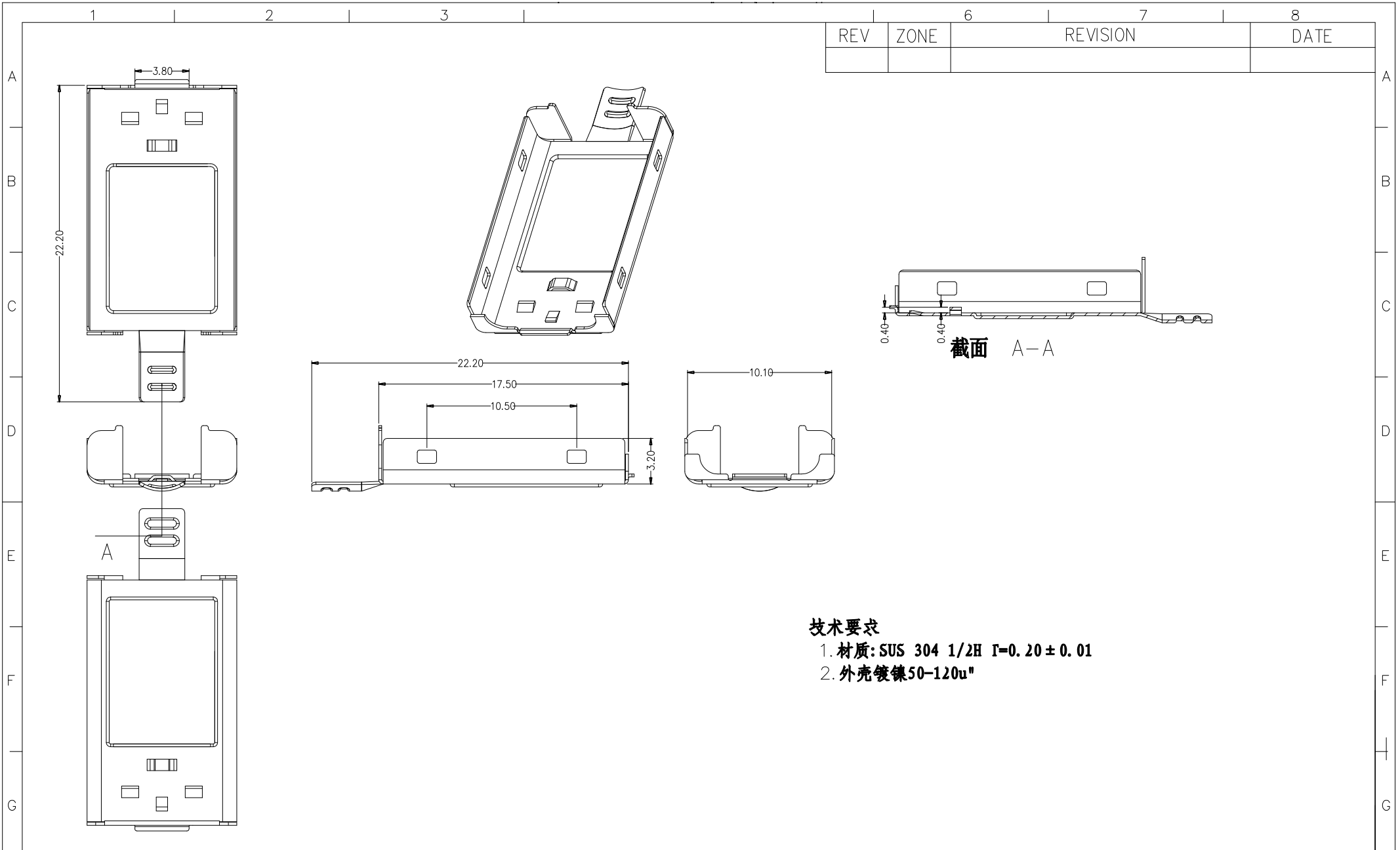


- 技术要求**
1. 材质: SUS 304 1/2H $\Gamma=0.20$
 2. 外壳镀镍50-120 μ "



COMPUTER NO.			UNIT	SCALE	PART NAME	
			mm	1:1	USB C/M TYPE 长上铁壳	
APPD.	CKD.	DWG.	DATE	TOLERANCE	PART NO.	REV
			2015/03/07	.x ±0.38 .xx ±0.20		A0

REV	ZONE	REVISION	DATE



- 技术要求**
1. 材质: SUS 304 1/2H $\Gamma=0.20 \pm 0.01$
 2. 外壳镀镍50-120 μ "



COMPUTER NO.			UNIT	SCALE	PART NAME	
			mm	1:1	USB C/M TYPE 长下铁壳	
APPD.	CKD.	DWG.	DATE	TOLERANCE	PART NO.	REV
			2015/03/07	.x ± 0.38 .xx ± 0.20		A0

MODEL	UBC-S3MP-TN-05	PAGE	3 OF 3	
1	2	3		